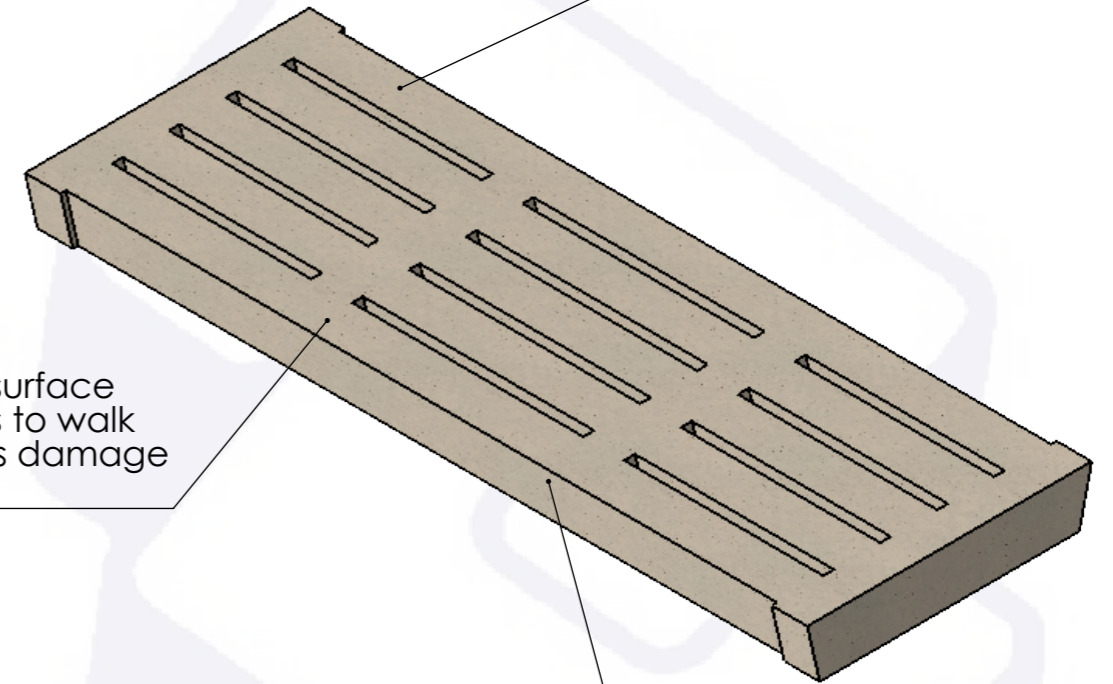
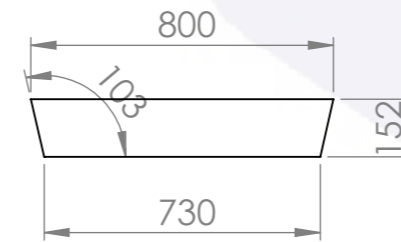


Designed for use above slurry channels underground tanks and as part of a suspended floor system.



The smooth top surface is better for cows to walk on and minimises damage to their feet.

These robust precast reinforced concrete cattle slats are designed to BS EN12737:2004



2T CATTLE SLATS SIZES AVAILABLE		
Product Code	Length	Width
CS800-1100 2T	1.1M	800mm
CS800-1750 2T	1.75M	800mm
CS800-2000 2T	2M	800mm
CS800-2200 2T	2.2M	800mm
CS800-2500 2T	2.5M	800mm
CS800-2750 2T	2.75M	800mm
CS800-3000 2T	3M	800mm
CS800-3430 2T	3.43M	800mm
CS800-3580 2T	3.58M	800mm
CS800-3630 2T	3.63M	800mm

DO NOT SCALE DRAWING		REVISION	
		CRAVEN CONCRETE LTD Manufacture, Supply & Installation of Quality Concrete For Agriculture And Industry WWW.CRAVENCONCRETE.CO.UK	
			
TITLE: CATTLE SLAT 2T 2.2M x 800mm			
DWG NO. CS800-2200 2T		MATERIAL: CONCRETE	
	NAME	SIGNATURE	DATE
DRAWN	SAM KIRBY		09/02/18
CHK'D			
		WEIGHT: 0.473T	TOLERANCES: +/- 5mm
		A3	SCALE:1:20 SHEET 1 OF 1